

Step-by-step plan

The following 5-step plan helps you find your way in choosing the right Novy ceiling unit.

Step 1 Width of the ceiling unit

For a good result the cooker hood must be at least the full width of the hob. Our ceiling units are available in sizes 90, 110, 120 and 150 cm. The following combinations are recommended for the ceiling units (directive):

Width hob	Width ceiling unit	Max. distance between cooker hood and hob
≤ 80 cm ¹	min. 90 cm	160 cm
81 - 109 cm	min. 110 cm	160 cm
110 - 120 cm	min. 120 cm	160 cm
> 120 cm	min. 150 cm	160 cm

¹ For installation in fully suspended ceilings, we recommend a ceiling unit of at least 120 cm for hobs 80 and 90 cm wide.

Step 2 LED lighting

With LED lights

The ceiling unit is equipped with dual LED lighting or a LED strip. The light intensity and colour temperature can be adjusted to your wishes.

Without LED lights

For a minimalistic design. To these ceiling units you can connect external lighting (max. 300 W), which can be operated through the cooker hood, remote control or InTouch technology (not dimmable).

Step 3 Recirculation or exhaust to the outside

Recirculation

If extraction to the outside is not an option, you can choose recirculation instead. For ceiling units it is possible to choose

- 2 types of built-in boxes, each in 3 colours with monoblock filter.
- A basic kit. The basic kit contains a monoblock filter. The monoblock filter is placed directly behind the grease filter. The exhaust grill to let the filtered air back into the kitchen must be provided by you.

Cloud has recirculation as a standard.

With a cooker hood with recirculation, there must be a minimum of ventilation in the room where the cooker hood has been installed. Ventilation can be provided by the overall ventilation in the house or by opening a window and/or door.

Duct out

Novy offers a wide range of installation accessories. A cooker hood works optimally when the extracted air is replaced with fresh air. An insufficient air inlet leads to a loss of efficiency. It is therefore best to provide a sufficient air inlet (via a window extractor, an open door or window, or from another room).

Step 4 Ceiling unit installation options

The Pureline ceiling unit can be installed in 2 ways:

- flush-mounted in the ceiling
- in an alcove or a self-constructed chimney

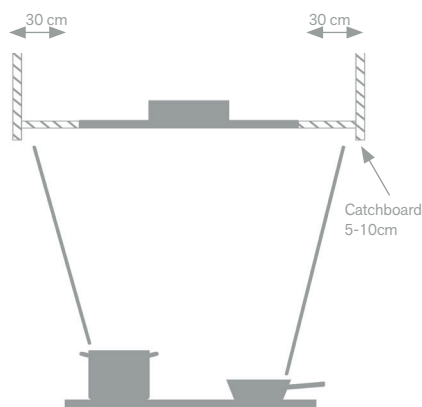
The Cloud ceiling unit can be mounted directly to the ceiling.

The maximum installation height (between the hob and the underside of the ceiling unit) is 160 cm.

Installation in an alcove or self-constructed chimney



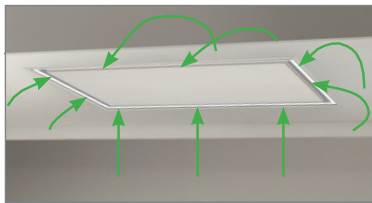
Cooking vapours do not rise straight up, instead they fan out over an angle of between 10° and 15°. For an efficient operation it is important that the whole construction in which the ceiling unit is installed is at least the same width and depth as the hob. Create an overlap of approximately 30 cm around the ceiling unit to prevent cooking vapours from escaping. In addition, edging of 5 to 10 cm high will ensure that fewer vapours can escape.



Installation in the ceiling



In this type of installation the ceiling unit is installed in a suspended ceiling and usually covers the entire kitchen. Because the unit is flush with the ceiling, vapours cannot rise higher than the unit itself and are captured along the edges.



Mounting onto the ceiling

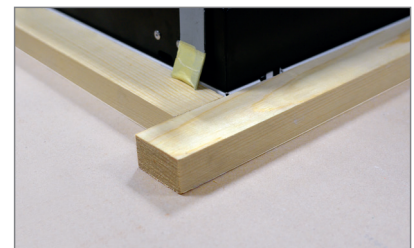


The Cloud ceiling unit only needs to be screwed to the ceiling and does not require any opening in the ceiling. Never before has it been this easy to install a cooker hood. Make sure, however, that your ceiling is sufficiently strong.

Construction of the suspension structure

On the long sides of the Pureline ceiling unit there are mounting clamps that hold the cooker hood in the cut-out opening. For this, the material and thickness must be 18-35 mm.

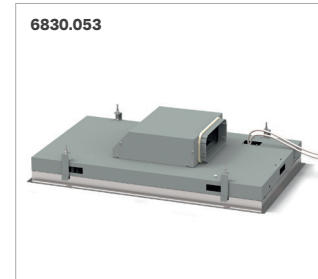
Never mount directly in the plasterboard, always provide reinforcement (in wood, on the side or by means of a frame) to which the mounting clamps can be clamped.



Adapter for flat duct with limited built-in height

If the built-in depth is limited, it is possible to remove the Cubic motor from the ceiling unit. In this situation, an optional adapter can be ordered. The adapter is placed directly on the ceiling unit and connected to a flat rectangular duct. The motor is then installed in a different location. Please note that the entrance to the motor is round. With adapter 6830.053 the built-in height can be limited to 17,3 cm and with 830.053 to 18,5 cm.

6830.053	Adaptor for Pureline. exhaust direction can be turned to the right, left, front or rear	£ 130
6930.050	Adaptor for Pureline Pro. exhaust direction can be turned to the right, left, front or rear	£ 219
830.053	Adaptor for Maxi Pureline (order 2x). Exhaust direction 1x left and 1x right	£ 130



Step 5

Type of motor

Cloud ceiling unit recirculation as standard

This ceiling unit is equipped with recirculation as standard and needs only to be screwed to the ceiling. It is not necessary create an opening in the ceiling.

Ceiling unit motor not included

Models without a motor are combined with an interior motor, wall-mounted motor or flat roof motor

Ceiling unit with compact motor

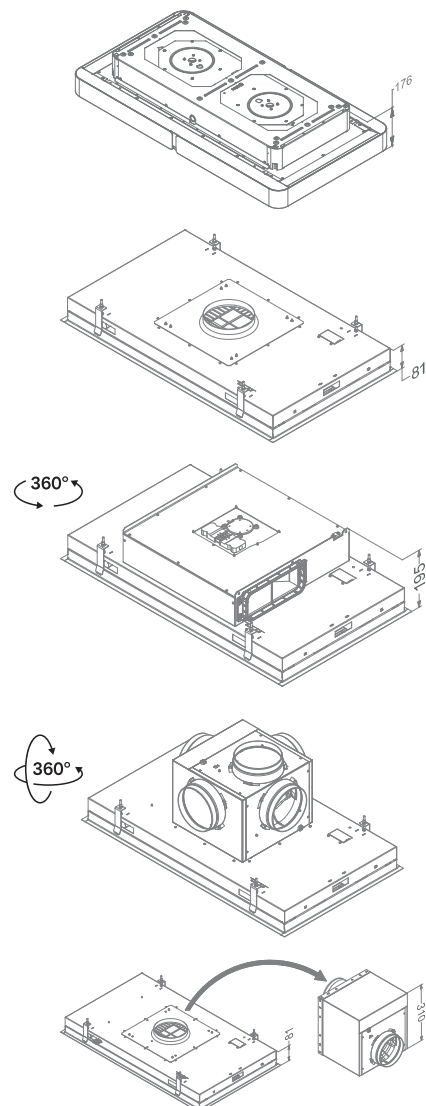
The ceiling unit, including the compact motor, has a built-in height of only 19.5 cm. The exhaust can be turned to the right, left, front or rear. This motor cannot be removed.

Ceiling unit with a Cubic motor

The integrated Cubic motor offers the necessary flexibility, because the exhaust can be rotated in all directions (right, left, front, rear or above).

The Cubic motor can also be removed and placed elsewhere in the home. The 4 m cable (included) connects the ceiling unit with the motor.

If required, this cable can also be extended (optional). This extension cable is connected to the existing cable and has a length of 5 m.



Overview of ceiling units

Step 2

Step 1

		With LED lights		Without LED lights	
Pureline 90 cm	Stainless steel	Compact motor with Novy Sense sensor	6910		
	Stainless steel	Compact motor	6810		
	Stainless steel	Cubic motor with Novy Sense sensor	6930		
	Stainless steel	Cubic motor	6830	Cubic motor	6833
	Stainless steel	Motor not included	6835	Motor not included	6838
	White	Compact motor with Novy Sense sensor	6911		
	White	Compact motor	6811		
	White	Cubic motor with Novy Sense sensor	6931		
	White	Cubic motor	6831	Cubic motor	6834
	White	Motor not included	6836	Motor not included	6839
	Black	Compact motor with Novy Sense sensor	6912		
	Black	Compact motor	6812		
	Black	Cubic motor with Novy Sense sensor	6932		
Pureline 120 cm	Stainless steel	Compact motor with Novy Sense sensor	6920		
	Stainless steel	Compact motor	6820		
	Stainless steel	Cubic motor with Novy Sense sensor	6940		
	Stainless steel	Cubic motor	6840	Cubic motor	6843
	Stainless steel	Motor not included	6845	Motor not included	6848
	White	Compact motor with Novy Sense sensor	6921		
	White	Compact motor	6821		
	White	Cubic motor with Novy Sense sensor	6941		
	White	Cubic motor	6841	Cubic motor	6844
	White	Motor not included	6846	Motor not included	6849
	Black	Compact motor with Novy Sense sensor	6922		
	Black	Compact motor	6822		
	Black	Cubic motor with Novy Sense sensor	6942		
Maxi Pureline 150 cm	Stainless steel			Motor not included	855
	White			Motor not included	856
Cloud 110 cm	White	Motor, recirculation	230		
	Black	Motor, recirculation	232		